



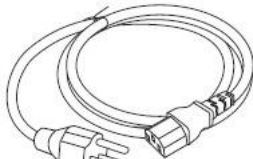
# ZN-1000-ZBS Smart Access Point Quick Setup Guide

This Quick Setup Guide provides step-by-step instructions on how to set up your ZN-1000-ZBS Smart Access Point. After completing the steps described in this Guide, you will be able to place the AP at your site and provide wireless network access to users.

## PACKAGE CONTENTS



ZN-1000-ZBS Smart Access Point



Power Cord



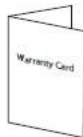
PoE Injector Kit



Pole Mount Kit



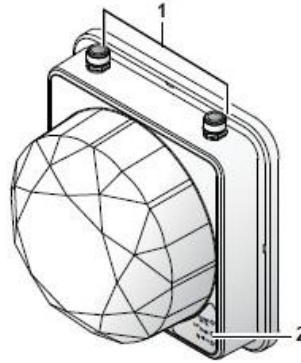
Screw Kit



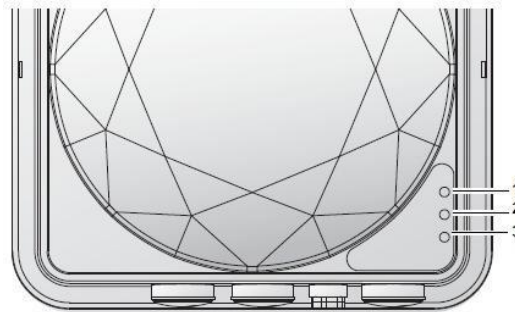
Warranty Card

## HARDWARE OVERVIEW

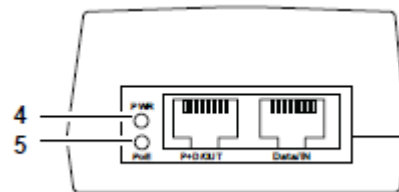
### Front View



No.	Item
1	Metal caps for optional 5GHz antennas
2	LED Indicators



LED Indicators on the Device



LED Indicators on the PoE Injector

No	LED	State	Description
1	Smart Function	On (Yellow)	Training
		On (Blue)	Training complete
		Off	Disabled
2	AP Mode	Blinking (Yellow)	Connected in AC mode
		On (Yellow)	Connected in AC mode
		On (Blue)	Connected in FAP mode
3	System	Blinking (Red)	System is initializing
		On (Red)	System is unstable
		On (Green)	System is stable
		Off	The 2.4G wireless radio is off
4	PWR	On (Green)	Power is being supplied to the device via the Ethernet port
5	PoE	On (Amber)	Network connection is established
		Blinking (Amber)	Ongoing data transmission

## SETUP REQUIREMENTS

Before installing your ZN-1000-ZBS access point, be sure that you have the following:

- A computer running Windows 7, Vista, or XP
- A CAT5 UTP cable of required length
- One of the following power sources:
  - IEEE 802.3at-compliant Power over Ethernet (PoE) source
  - Power adapter came with the package

### Note:

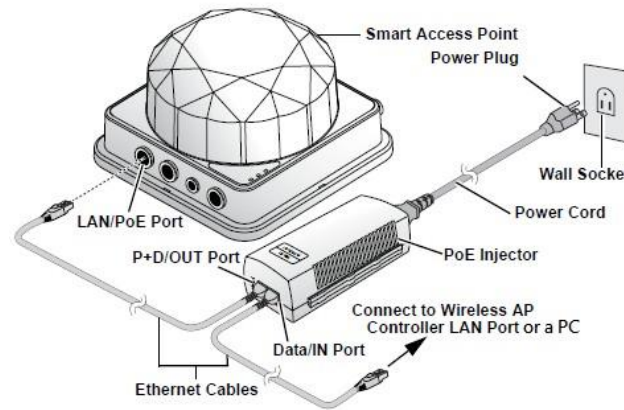
If the AP is deployed with an AP controller, follow the section **INSTALL THE AP** to proceed.

## STEP 1: POWER ON THE AP

The Smart Access Point comes with a PoE injector kit for connecting to power over the Ethernet port. The Smart Access Point automatically turns on as soon as it is connected to a power source.

### Cautions:

1. Use only the power adapter and PoE injector that came with the wireless AP.
  2. Make sure that the PoE injector is properly grounded
1. Insert one end of an Ethernet cable to the P+D/OUT port on the PoE injector.
  2. Insert the other end to the LAN/PoE port on the Smart Access Point.
  3. Connect a power cord to the PoE injector.
  4. Connect the power plug to a wall socket.



## STEP 2: CONNECT THE AP TO YOUR PC

1. Insert one end of an Ethernet cable to the Data/IN port on the PoE injector as figured above.
2. Insert the other end to the assigned LAN port on your PC as figured above.
3. From your computer, go to Start > Settings > Network Connections or Start > Control Panel > Network Connections.
4. When the Network Connections window appears, right-click the icon for Local Area Connection, and then click select Properties.
5. Select Internet Protocol (TCP/IP) from the scrolling list, and then click Properties.
6. Select Use the following IP address option (if it is not already selected), and then make the following entries:
  - IP address: Any address in the 192.168.1.x network
  - Subnet mask: 255.255.255.0
7. Click OK to save your changes, and exit the dialog box.

## STEP 3: LOG INTO THE AP

1. On your PC, open a Web browser window.
2. In the browser, type <https://192.168.1.1> and press <Enter> to connect to the AP.
3. When a security alert dialog box appears, click OK/Yes to proceed.
4. When the login page appears, enter the following:
  - Username: admin
  - Password: password
5. Click Login.

## STEP 4: CONFIGURE THE AP

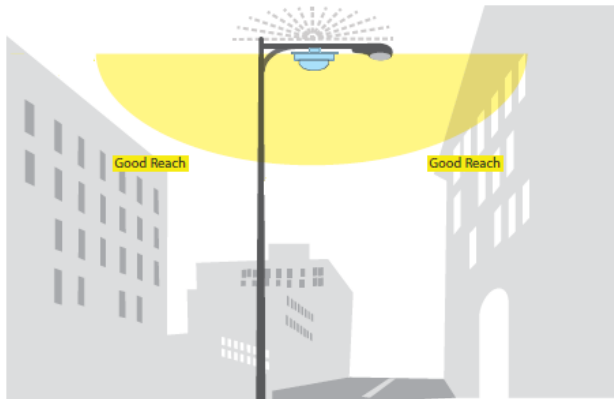
1. On the Web interface menu, click Advanced Settings.
2. Select Wireless Mode: FAT AP.
3. Select **DHCP Client** to obtain an IP address from the DHCP server automatically, or select **STATIC** to enter the values manually. Click Apply to save changes.
4. Go to RF Configure > Wireless Settings. (For dual band 5G setting, select Card 2 first then go to RF Configure > WirelessSettings.)
5. Select your location from Country/Region. Click Apply to save the changes.
6. Select a clean channel.
7. Go to RF Configure > Security Profile
8. Select a profile (eg. #1) , then click **Edit**.
9. Type the name of the network in the SSID field.
10. Enable authentication and encryption as needed. Click Apply to save the changes.
11. Repeat Steps 8-9 for each Profile # interface that you want to enable.
12. Click Logout to exit the Web interface.

## STEP 5: INSTALL THE AP

1. Disconnect the AP's power adapter from the power outlet (or disconnect the PoE cable).
2. Move the AP to its permanent location (accessible to both power source and network connections).

### Note:

The Smart Access Point is ideal for closed and semi-outdoor environments. The signal strength it will receive depends largely on its position, so make sure that sufficient survey has been made to determine the best placement for maximum range, coverage, and network performance before installing.



Suggested Orientation to Achieve Maximum Horizontal Plane Coverage

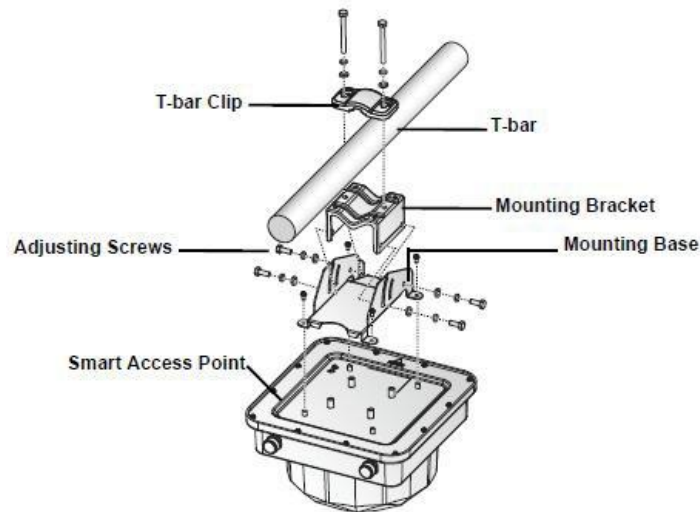
## MOUNTING ON A FLOATING CEILING

1. Secure the smart antenna to the mounting base with the provided screws.
2. Press the mounting bracket to the T-bar at a pre-determined location.
3. On the opposite side of the T-bar, position the T-bar clip.

4. Insert the washers over the retaining screws and insert through the T-bar clip and into the mounting bracket.
5. Secure the Smart Access Point and mounting base to the mounting bracket with the spring washers and screws.
6. Align the Smart Access Point and mounting base assembly with the mounting bracket.
7. Insert the adjusting screws through the mounting base and secure.

### Note:

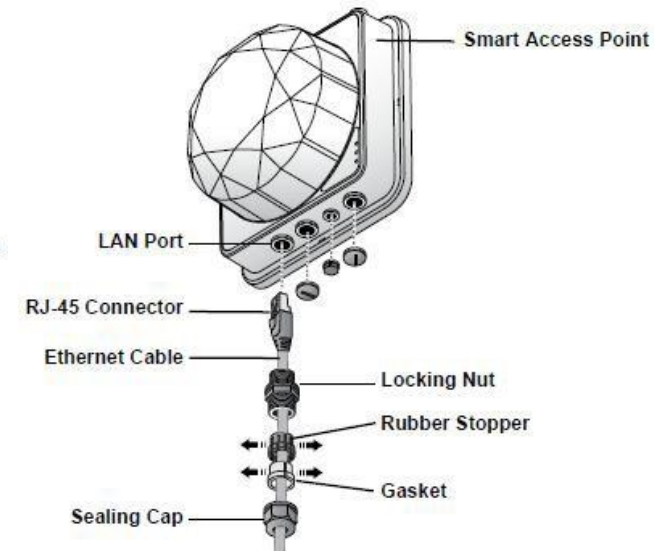
Do not tighten the screws completely at this time to allow for final tilt down adjustments.



## STEP 6: WATERPROOFING THE CABLE

For outdoor installation, you need to waterproof the LAN port using the supplied sealing cap.

1. Slide the locking nut over the bare end of the Ethernet cable.
2. Slightly pry open the gasket and rubber stopper, and insert the Ethernet cable.
3. Slide the gasket and rubber stopper into the locking nut.
4. Connect the RJ-45 connector into the smart antenna LAN port.
5. Flush the gasket, rubber stopper and locking nut together into the LAN port opening, then twist the locking nut to seal the opening.
6. Slide the sealing cap over the bare end of the Ethernet cable.
7. Tighten the sealing cap.

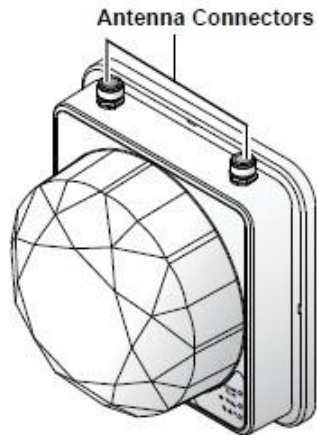


## INSTALLING THE ANTENNA (OPTIONAL)

You may install optional 5GHz antennas on top of the Smart Access Point to extend the range of your wireless network.

### Cautions:

1. Make sure that you disconnect the Smart Access Point from the power source before connecting the optional antennas
  2. Do not remove the metal caps if you are not installing 5GHz antennas
1. Unscrew the metal caps protecting the antenna connectors.
  2. Connect the 5GHz antennas to the standard N-type female antenna connectors on the AP..
  3. Attach waterproof tapes to the connectors to protect the antennas from water and dirt.



## STEP 7: POWER AND CONNECT

1. Connect the Ethernet cable from the **Data In** port on the PoE injector to your network's switch.

2. Connect the PoE injector to an AC power source.
3. Perform a spot-check to verify if the PWR and LAN LED are lit to make sure the AP is operating normally

## STEP 8: VERIFY THE CONNECTION

1. Use any wireless-enabled computer or mobile device to search for and select the wireless network you've previously configured.
2. If you can connect, open a browser and link to any public Web site.

If you are using AP Controller to manage the AP, please refer to the AP Controller user guide to learn how to configure and manage the AP from the AP Controller Web interface.

The latest versions of user manuals are available for download on the ZDC website at:  
[www.zcom.com.cn](http://www.zcom.com.cn)

Copyright © 2016 Zcomax Technologies, Inc. All rights reserved. All other company and product names mentioned in the documentation are held to be trademarked (and registered) by the primary holders.